

# Infinity 1031 - 1034

Nitrogen/Dry Air Generator for  
Sciex Mass Spectrometers



Your local **gas generation** partner

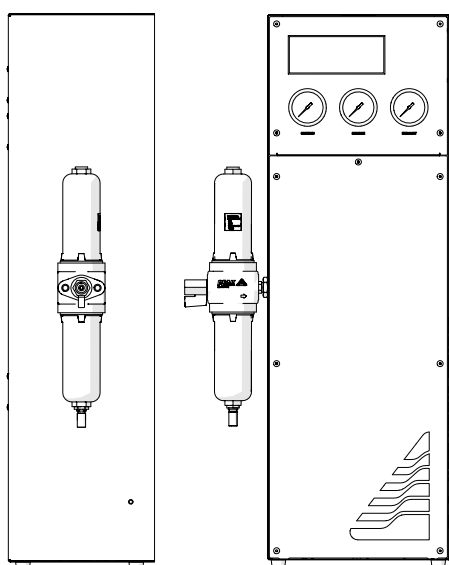
## Description

Membrane technology is at the heart of the Infinity 1031-1034 generators. Delivering one output of laboratory-grade nitrogen, and two dry air outputs, the Infinity 1031-1034 generators are a durable, hassle-free solution for Sciex LC-MS instruments. The choice of Infinity model will depend on the application, with different gas flows defining the differing models.

Peak Scientific's Infinity series generators have been engineered to provide nitrogen to laboratories which already have an external source of clean, dry air (we can provide assistance on external compressors or pre-filtration systems as part of an Infinity gas generation solution). These systems contain no moving parts, are effectively silent whilst in operation and require minimal maintenance.

## Applications

- Nitrogen supply suitable for most LC-MS instruments



## Key Features

- Capable of supplying multiple Sciex LC-MS instruments
- 24/7 operation at optimum performance if required
- Gas is supplied on demand so generator works to your schedule
- Few moving parts means lower maintenance requirement and ensures long life of the generator
- Minimal set-up required
- Completely silent in operation
- 12 month comprehensive on-site warranty

Technical Specifications	Infinity 1031 (Hi Flow)	Infinity 1031	Infinity 1032	Infinity 1033	Infinity 1034
Max Flow Rate (Nitrogen)	10 L/min	19 L/min	38 L/min	57 L/min	76 L/min
Max Flow Rate (Source Gas)	22 L/min	26 L/min	52 L/min	78 L/min	104 L/min
Max Flow Rate (Exhaust Gas)	10 L/min	25 L/min	50 L/min	75 L/min	100 L/min
Max Gas Outlet Pressure	110 psi				
Min Air Inlet Flow Rate	115 L/min	115 L/min	240 L/min	340 L/min	475 L/min
Min/Max Air Inlet Pressure	8.27 - 10.0 bar / 120 - 145 psi				
Max Pressure Drop	8 psi				
Min/ Max Operating Temperature	5°C - 30°C / 41°F - 86°F				
Particles	< 0.01 µm				
Suspended Liquids	None				
Electrical Requirements	None				
Generator Dimensions (HxWxD)	760 x 365 x 200 mm / 29.9 x 14.4 x 7.8 in	760 x 365 x 200 mm / 29.9 x 14.4 x 7.8 in	730 x 310 x 250 mm / 29 x 12 x 29 in	730 x 310 x 250 mm / 29 x 12 x 29 in	960 x 250 x 250 mm / 37.8 x 10 x 10 in
Generator Weight	14 kg (30.8 lbs)	14 kg (30.8 lbs)	21Kg (46 lbs)	27Kg (60 lbs)	27Kg (60 lbs)

Ordering Information					
Part Number	13-1280	13-1270	13-1272	13-1274	13-1276
Annual Service	08-0317				
Standard Maintenance Plan	Visit: <a href="http://www.peakscientific.com/ordering">www.peakscientific.com/ordering</a>				
Complete Maintenance Plan					

## [PEAK Protected]™

Peak Scientific gas generators define the benchmark in reliability, convenience and performance in laboratories around the world, and come backed by a 12 month warranty. Beyond this period however you can ensure that your investment continues to be **[Protected]** by our comprehensive generator care cover.

Our world-class aftercare support packages deliver a program of scheduled preventative maintenance whilst giving you the reassurance of instant access to worldwide technical support and priority on-site response in the untimely event of a breakdown.

Peak Scientific UK  
 Tel: +44 (0)141 812 8100  
 Fax: +44 (0)141 812 8200

Peak Scientific North America  
 Tel: +1 866 647 1649  
 Fax: +1 978 608 9503

For a full list of our worldwide office locations, please visit:

Web: [www.peakscientific.com](http://www.peakscientific.com)  
 Email: [marketing@peakscientific.com](mailto:marketing@peakscientific.com)

Peak Scientific's Quality Management System conforms to: ISO:9001:2008

